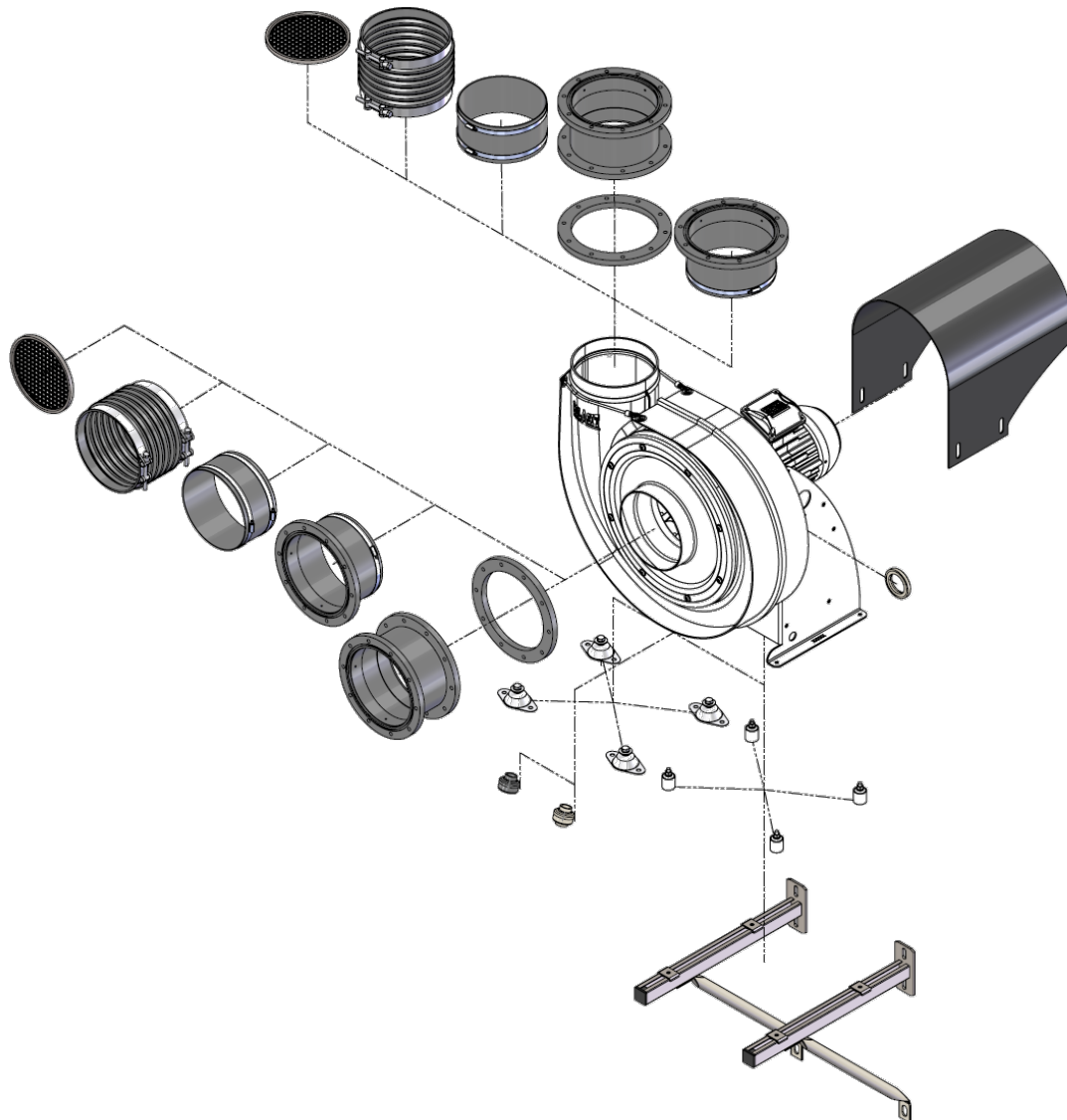


Overview



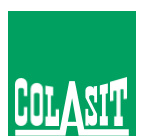
Hub seal	2
Sleeve round with fixing bands*	3
Sleeve round with one side flange and fixing bands*	4
Sleeve round with both side flange *	5
Wellflex-sleeve with fixing bands *	6
Mesh grid *	7
Vibration damper / Bell damper for floor/ceiling mounting *	8
Flange CN	9
Drain	11
Motor cover	12
Wall brackets	13

* Required items for operation

Edition 2024 • Subject to alteration • Copyright by COLASIT AG Spiez

COLASIT Asia Pte Ltd
 Plastic construction • 38 Woodlands Industrial Park E1 #03-04 • Singapore 757700
 Phone +65 6852 35 80/1 • info@colasit.com.sg
 www.colasit.com.sg

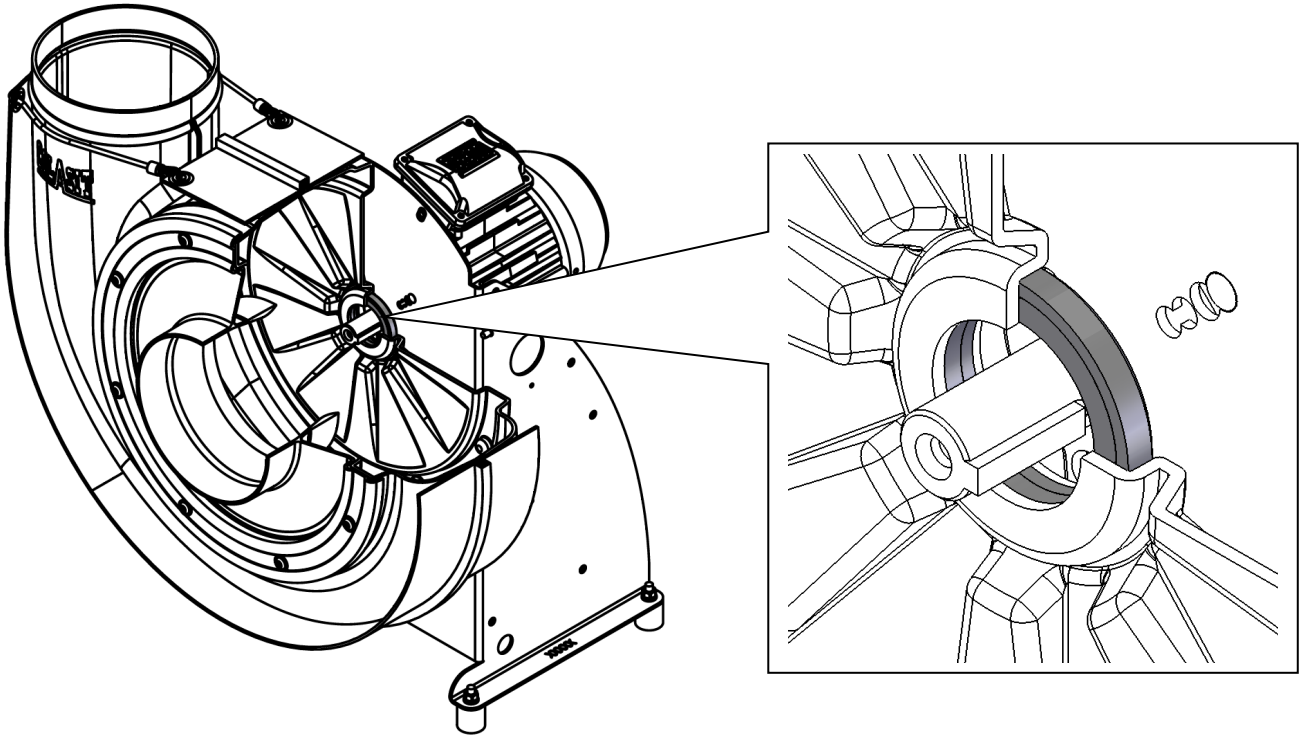
Competence in plastics. Worldwide.



Hub seal

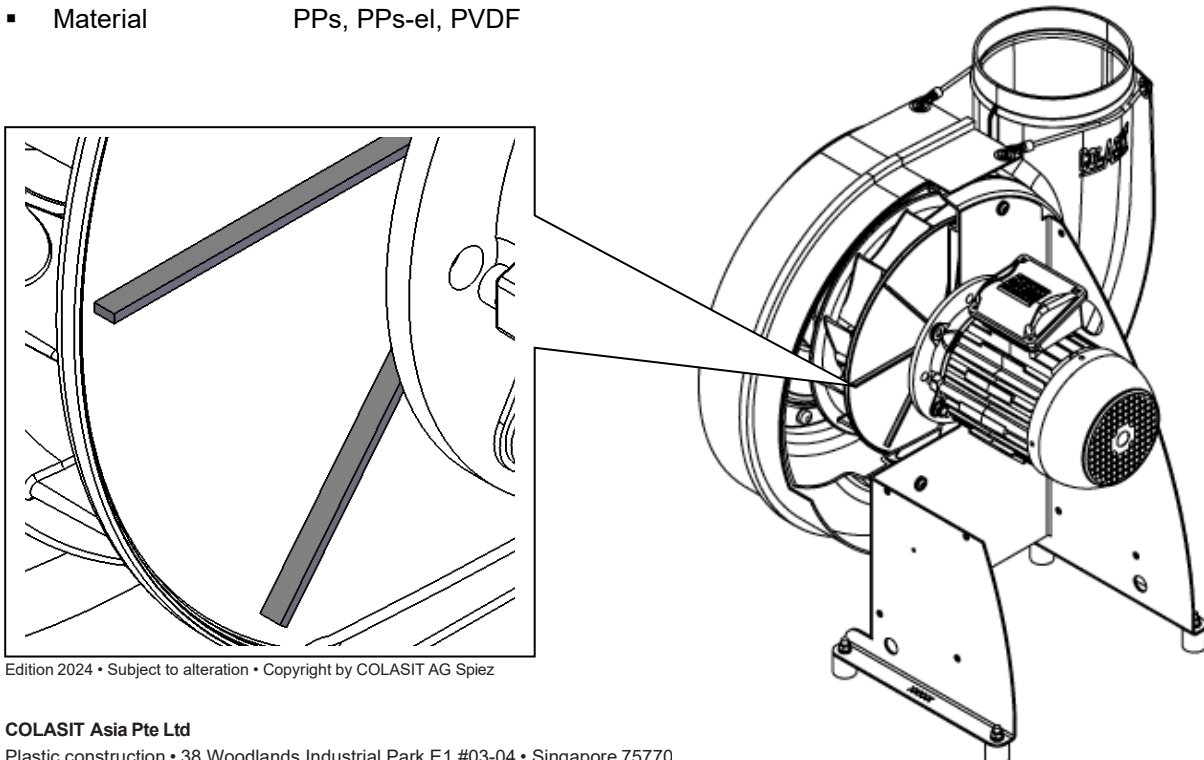
Felt ring seal

- Material PPs, PPs-el, PVDF, Felt



Back blades (under pressure in the hub area)

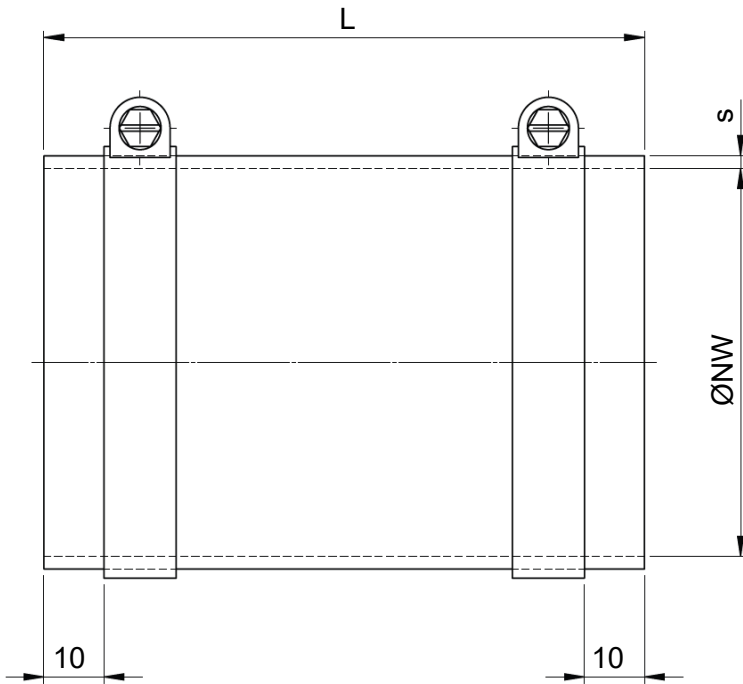
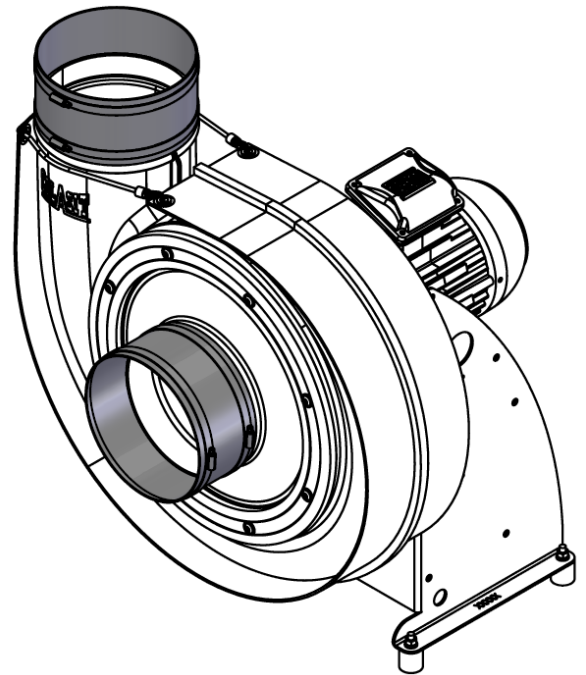
- Material PPs, PPs-el, PVDF



Edition 2024 • Subject to alteration • Copyright by COLASIT AG Spiez

Sleeve round with fixing bands*

- Material Soft-PVC (Sleeve)
Stainless steel (Fixing bands)

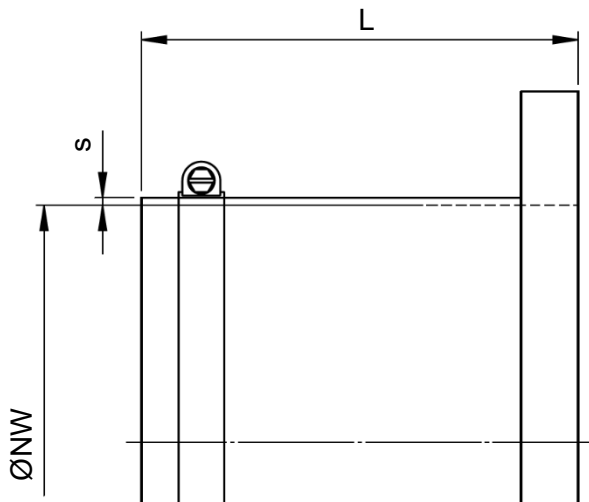
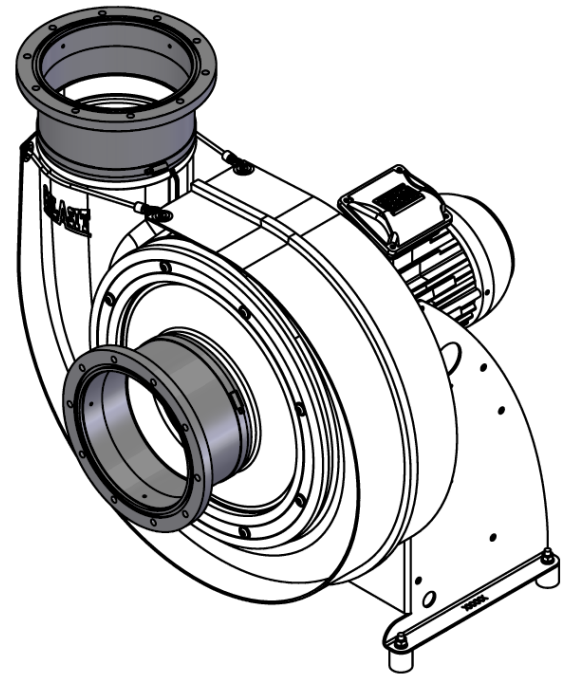


Ø NW	L	s
125, 160, 200, 250, 315	100	2
400	125	3

Edition 2024 • Subject to alteration • Copyright by COLASIT AG Spiez

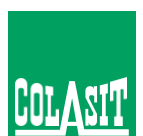
Sleeve round with one side flange and fixing bands*

- Material PVC (Flange)
 Soft-PVC (Sleeve)
 Stainless steel (Fixing bands)
- Use in combination with «Flange CN»



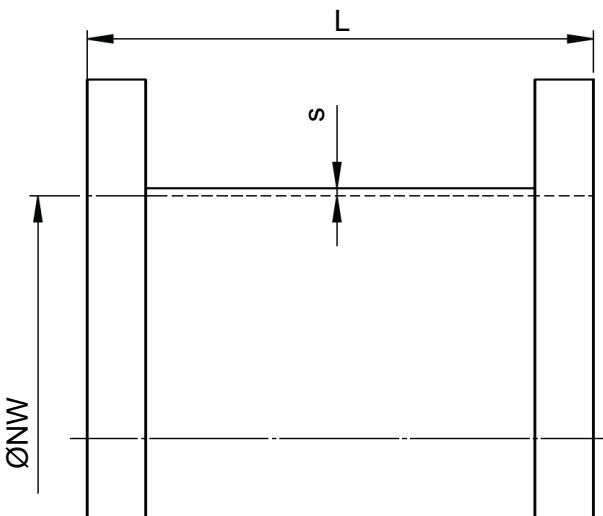
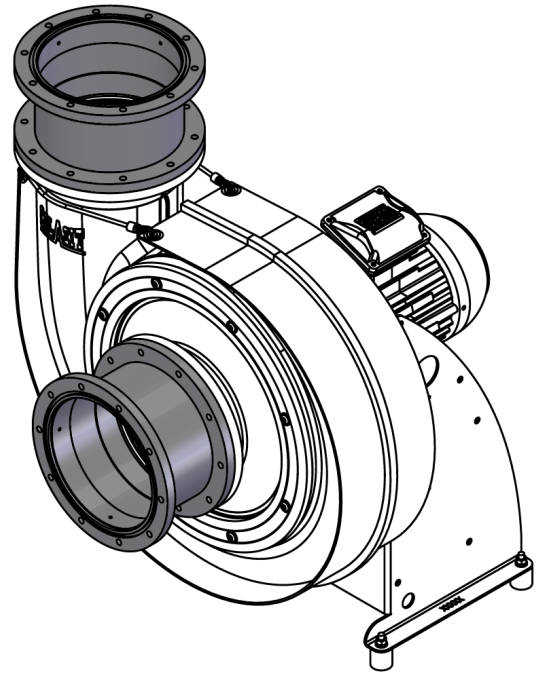
Ø NW	L	s
125, 160, 200, 250, 315	115	2
400	140	3

Edition 2024 • Subject to alteration • Copyright by COLASIT AG Spiez



Sleeve round with both side flanges *

- Material PVC (Flange)
 Soft-PVC (Sleeve)
- Use in combination with «Flange CN»

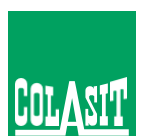


Ø NW	L	s
125, 160, 200, 250, 315	130	2
400	155	3

Edition 2024 • Subject to alteration • Copyright by COLASIT AG Spiez

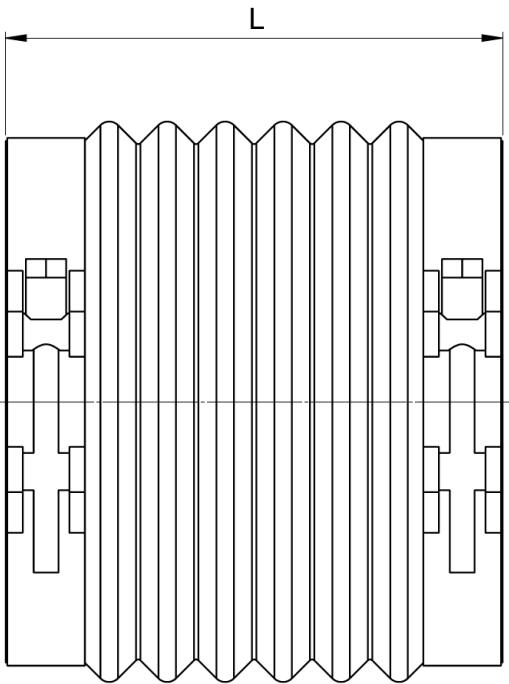
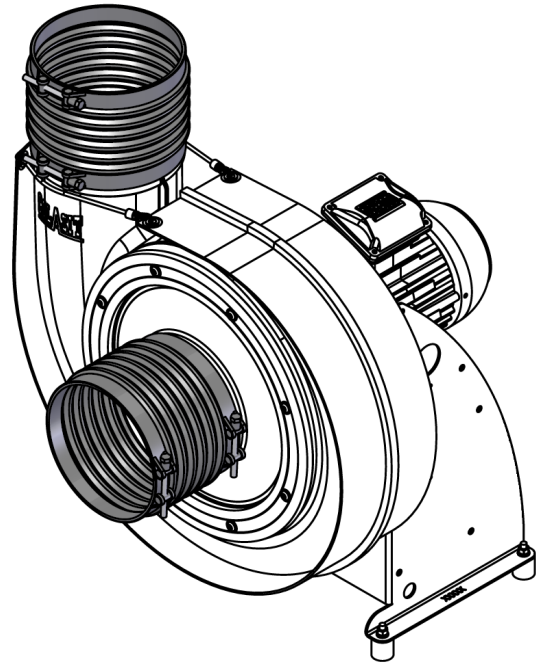
COLASIT Asia Pte Ltd
 Plastic construction • 38 Woodlands Industrial Park E1 #03-04 • Singapore 757700
 Phone +65 6852 35 80/1 • info@colasit.com.sg
www.colasit.com.sg

Competence in plastics. Worldwide.



Wellflex-sleeve with fixing bands *

- Material PVC-el (Sleeve, electrically conductive)
 Galvanised (Fixing bands)
- Use ATEX (Zone 1)

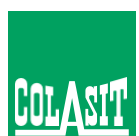


NW Ø	L
125, 160, 200	155
250, 315, 400	160

Edition 2024 • Subject to alteration • Copyright by COLASIT AG Spiez

COLASIT Asia Pte Ltd
 Plastic construction • 38 Woodlands Industrial Park E1 #03-04 • Singapore 757700
 Phone +65 6852 35 80/1 • info@colasit.com.sg
www.colasit.com.sg

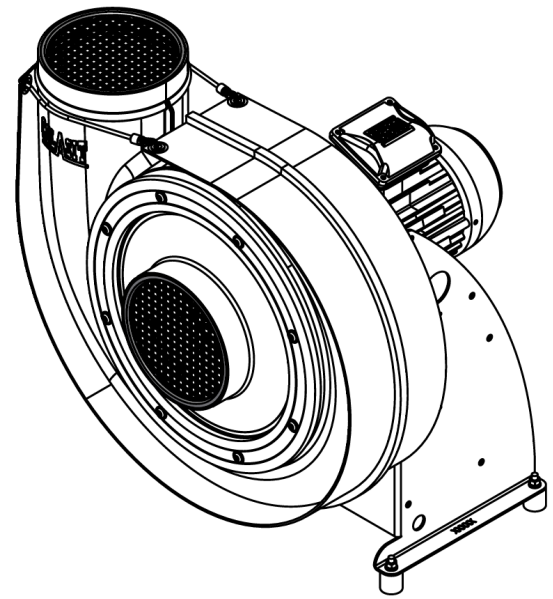
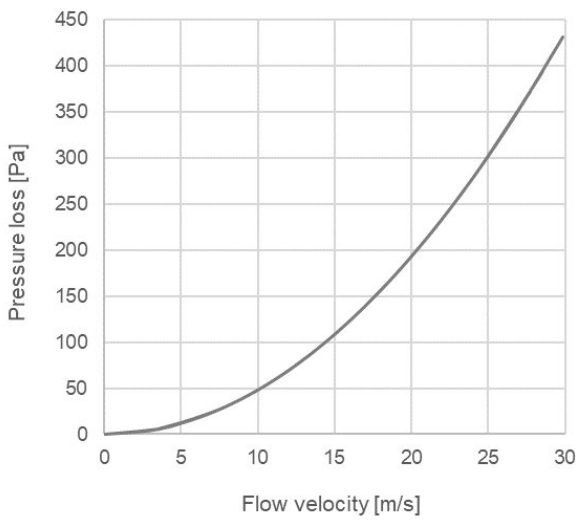
Competence in plastics. Worldwide.



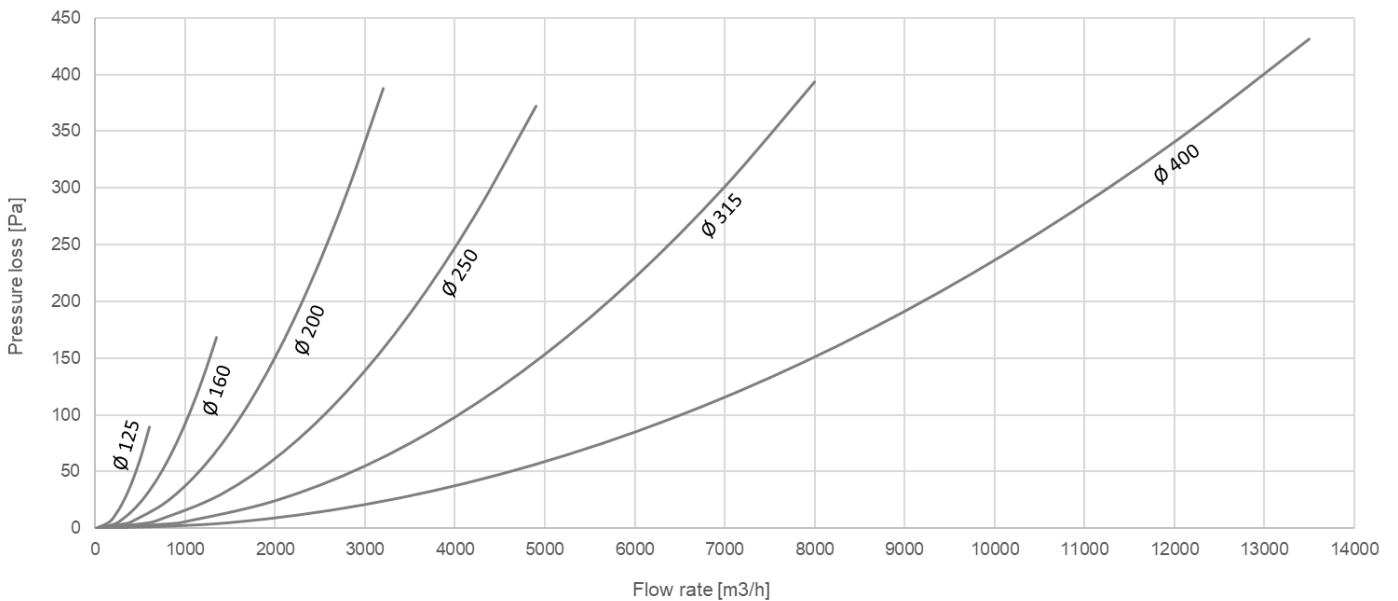
Mesh grid *

- Material PPs, PPs-el (same material as casing / inlet cone)
- Square perforation 10mm (IP20)
- Free cross section 69.4%
- Mounting welded
- Use only required when free suction or discharge

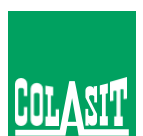
Pressure loss / Flow velocity



Pressure loss / Flow rate

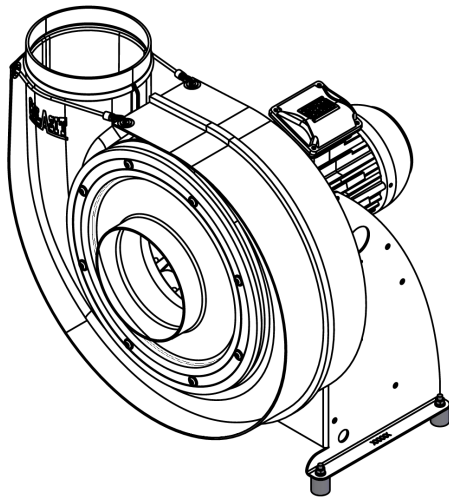


Edition 2024 • Subject to alteration • Copyright by COLASIT AG Spiez

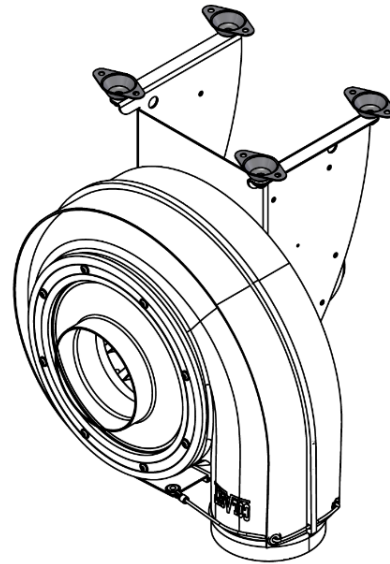


Vibration absorber / Bell mount for floor/ceiling mounting *

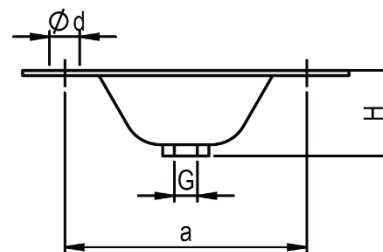
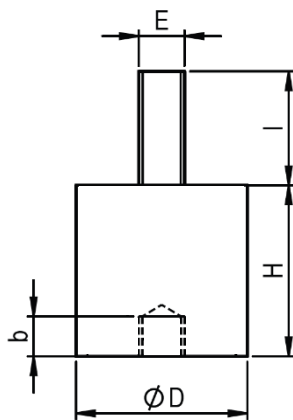
- Material
 - Natural rubber (vibration element)
 - Galvanised, stainless steel (vibration damper fastening)
 - Galvanised (bell damper fastening)



Vibration damper for floor mounting



Bell damper for ceiling mounting



Vibration absorber Type	Dimensions					Max. Load per damper
	D	H	E	I	b	
30/30, B	30	30	M8	20	7	50 kg
40/40, B	40	40	M8	23	7	90 kg

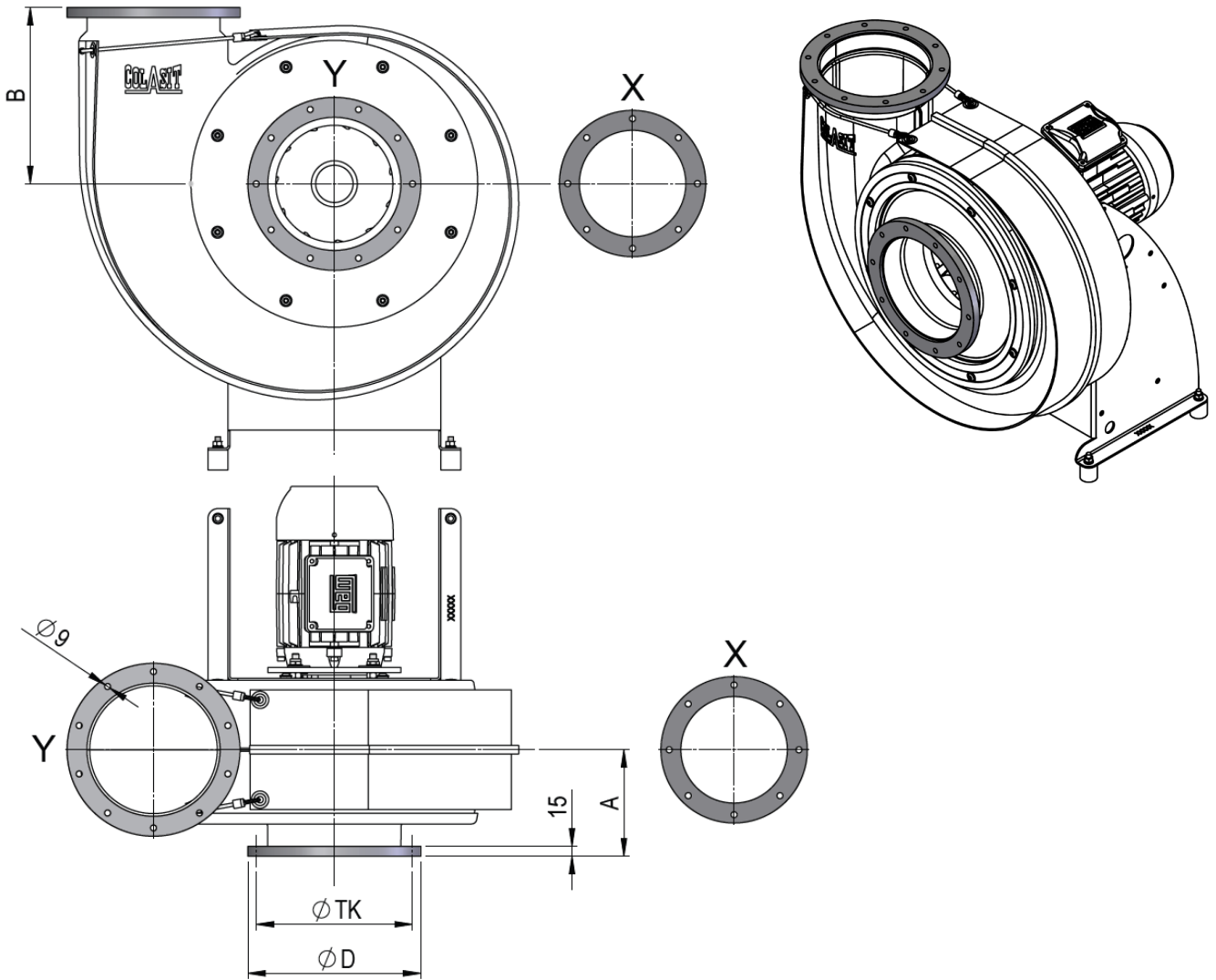
Bell Mount Type	Dimensions				Max. Load per damper
	H	G	a	d	
M6	33	M6	58	6,5	16 kg
M10	30	M10	85	10,5	50 kg

Fan Type	Floor mounting	Ceiling mounting	Quantity per fan
CMVpro 125, 160, 200	30/30, B	M6	4
CMVpro 250, 315, 400	40/40, B	M10	4

Edition 2024 • Subject to alteration • Copyright by COLASIT AG Spiez

Flange CN

- Material PPs, PPs-el, PVDF (same material as casing / inlet cone)

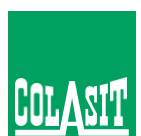


Ø NW	A	B	Ø D	Ø TK	Qty. Ø9	Hole layout
125	115	180	185	160	6	Y
160	135	221	220	195	8	X
200	160	270	260	235	10	Y
250	195	325	310	285	10	Y
315	230	396	375	350	12	X
400	275	465	480	445	18	Y

Edition 2024 • Subject to alteration • Copyright by COLASIT AG Spiez

COLASIT Asia Pte Ltd
 Plastic construction • 38 Woodlands Industrial Park E1 #03-04 • Singapore 757700
 Phone +65 6852 35 80/1 • info@colasit.com.sg
 www.colasit.com.sg

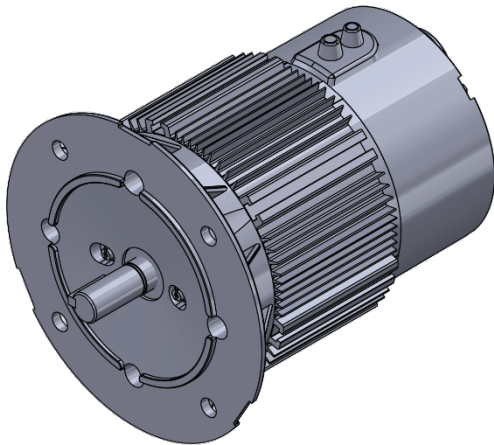
Competence in plastics. Worldwide.



Frequency converter for speed control

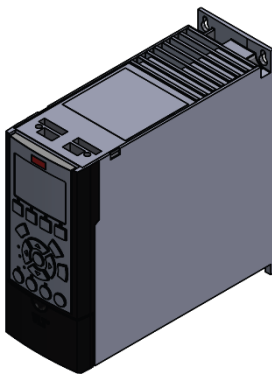
Motor with integrated frequency converter

- Protection IP55
- Speed control Continuous with external control signal

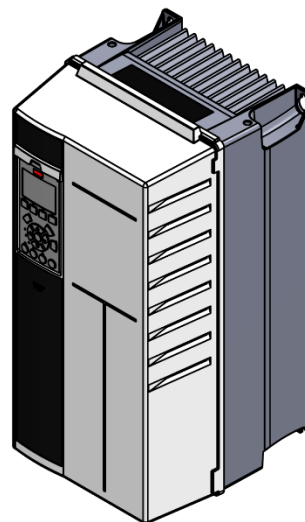


Frequency converter

- Protection IP20 / IP55
- Speed control Continuous with integrated control panel
Continuous with external control signal



*Frequency converter IP20
for control cabinet installation*

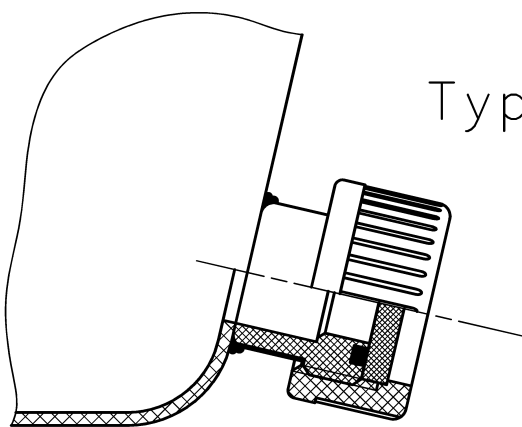
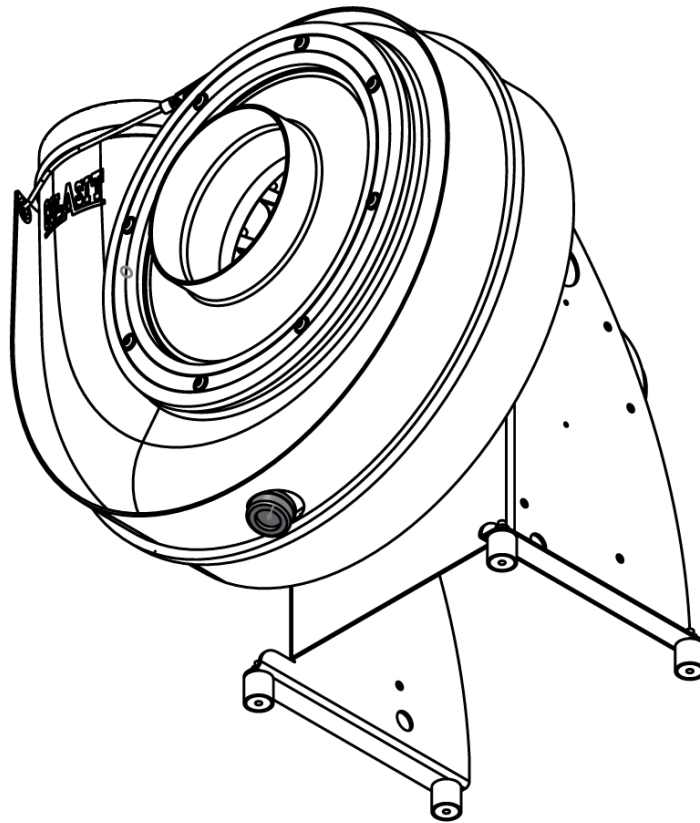


*Frequency converter IP55
for external installation*

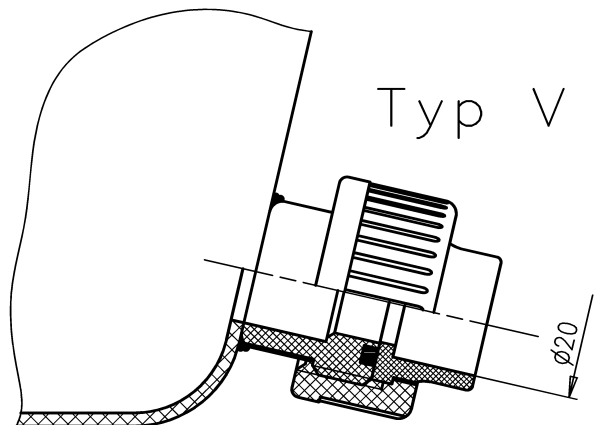
Edition 2024 • Subject to alteration • Copyright by COLASIT AG Spiez

Drain

- Material PP, PVDF



Typ K



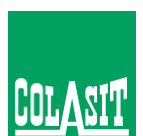
Typ V

Fan Type	with cap	with screw connection
CMVpro 125-400	Typ K	Typ V

Edition 2024 • Subject to alteration • Copyright by COLASIT AG Spiez

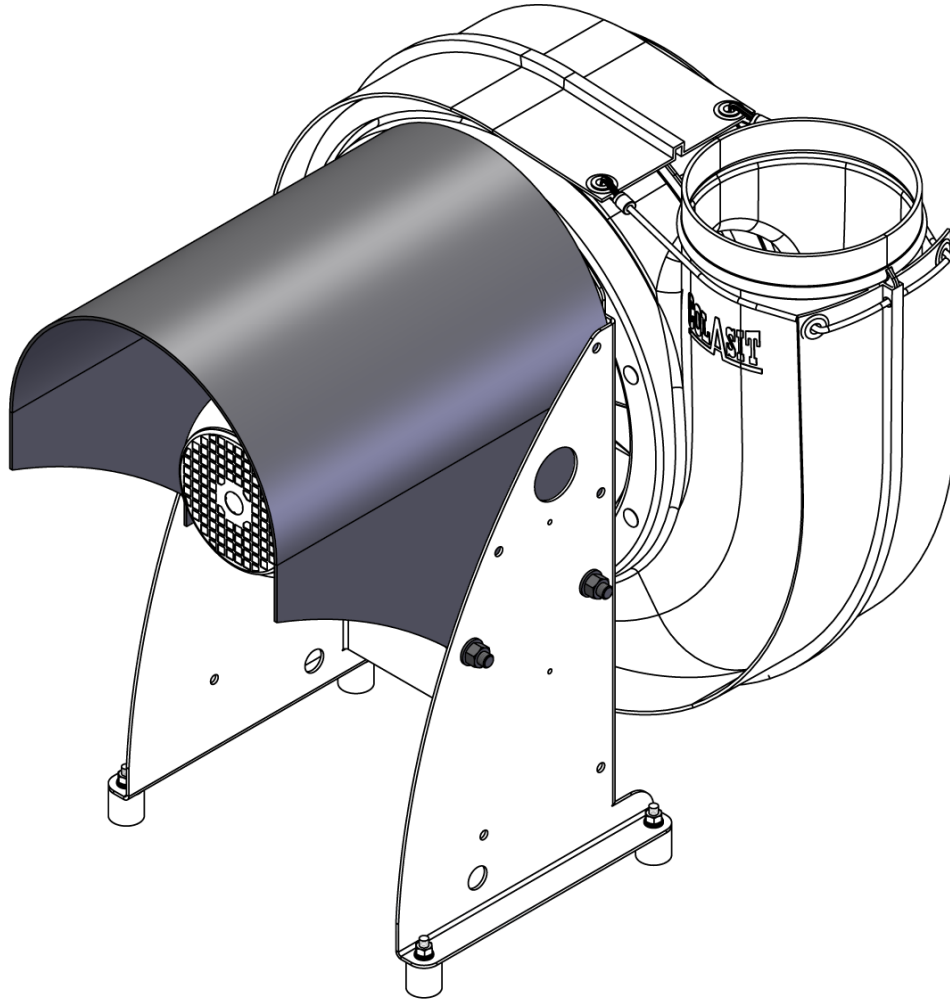
COLASIT Asia Pte Ltd
 Plastic construction • 38 Woodlands Industrial Park E1 #03-04 • Singapore 757700
 Phone +65 6852 35 80/1 • info@colasit.com.sg
 www.colasit.com.sg

Competence in plastics. Worldwide.



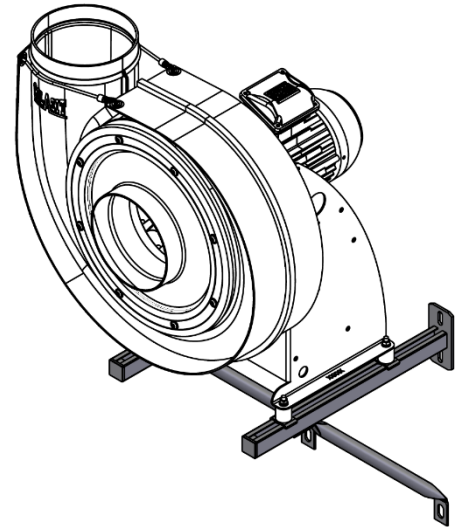
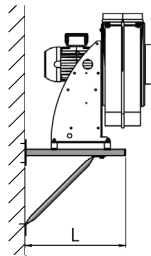
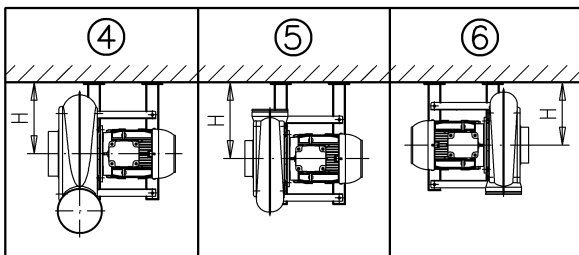
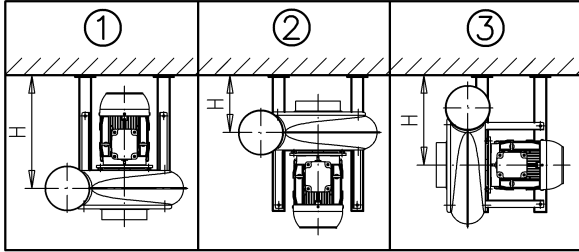
Motor cover

- Material PE, PPs-el (Motor cover)
Galvanised, stainless steel (Fastening)



Wall brackets

- Material Galvanised, stainless steel



		Mounting positions					
		1	2	3	4	5	6
CMVpro 125	L	500	500	500	500	500	500
	H	480	180	310	270	300	290
CMVpro 160	L	500	500	500	500	500	500
	H	480	180	330	290	300	300
CMVpro 200	L	500	750	750	500	750	750
	H	500	290	470	290	440	440
CMVpro 250	L	750	750	750	750	750	750
	H	690	290	490	420	450	450
CMVpro 315	L	750	750	1000	750	1000	1000
	H	710	280	640	450	580	600
CMVpro 400	L	750	1000	1000	1000	1000	1000
	H	790	400	670	560	580	610

Edition 2024 • Subject to alteration • Copyright by COLASIT AG Spiez

COLASIT Asia Pte Ltd
 Plastic construction • 38 Woodlands Industrial Park E1 #03-04 • Singapore 757700
 Phone +65 6852 35 80/1 • info@colasit.com.sg
 www.colasit.com.sg

Competence in plastics. Worldwide.

