

Overview

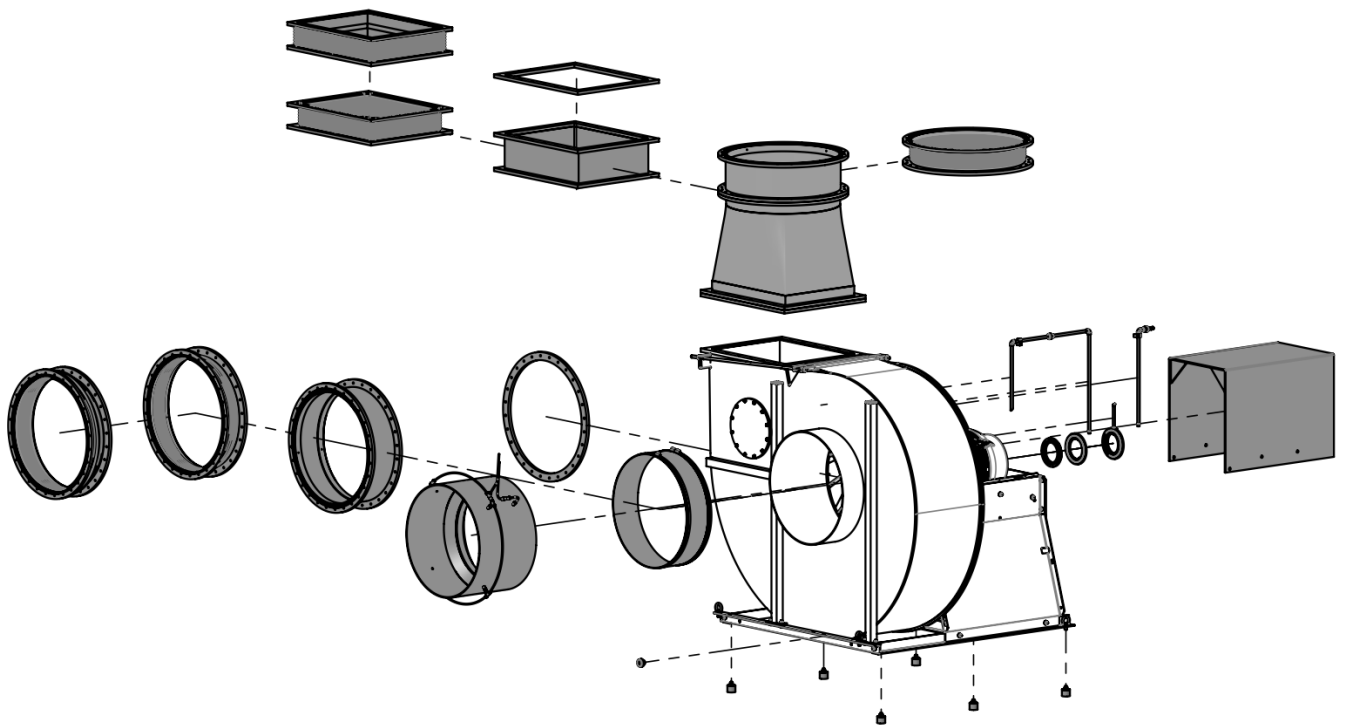


Table of contents

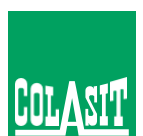
Vibration absorber for floor mounting for sheet metal uprights *	2
Sleeve round with tensioning straps *	3
Flange CN *	4
Flange CN rectangular *	5
PVC sleeve round with flange on both sides *	6
PVC sleeve with rectangular flange on both sides *	7
Wellflex sleeve round with flange on both sides *	8
Wellflex sleeve square with flange on both sides *	9
Casing drain	10
Hub seal	11
Motor cover direct drive	14
Motor cover V-belt drive	14
Flow rate measuring point	15
Frequency converter for speed control	16

*Required selection for operation

Edition 2025 • Subject to alteration • Copyright by COLASIT AG Spiez

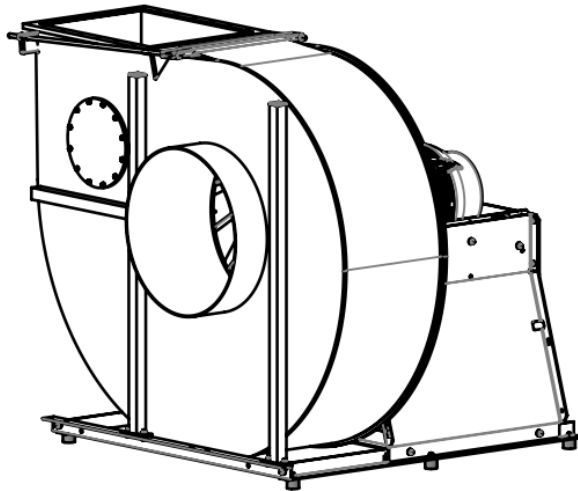
COLASIT Asia Pte Ltd
 Plastic construction • 38 Woodlands Industrial Park E1 #03-04 • Singapore 757700
 Phone +65 6852 35 80/1 • info@colasit.com.sg
 www.colasit.com.sg

Competence in plastics. Worldwide.

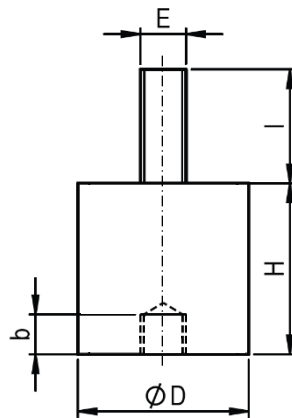


Vibration absorber for floor mounting for sheet metal uprights *

- Material Natural rubber (vibration element)
Galvanised, stainless steel (mounting vibration damper)



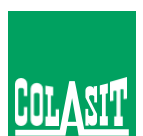
Vibration damper for floor mounting



Round isolator type	Dimensions					Max. per pc.
	D	H	E	I	b	
40/40, B	40	40	M8	23	7	90 kg
50/50, B	50	50	M10	28	10	150 kg

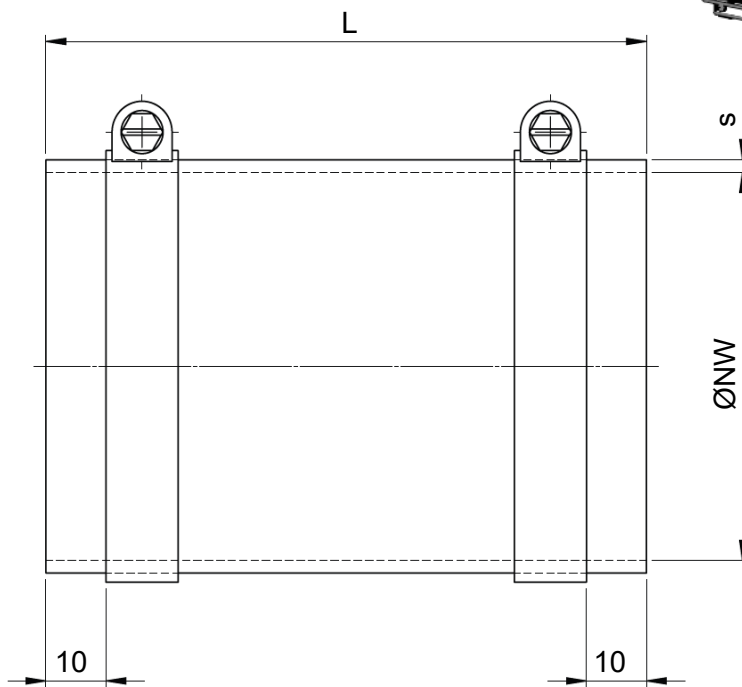
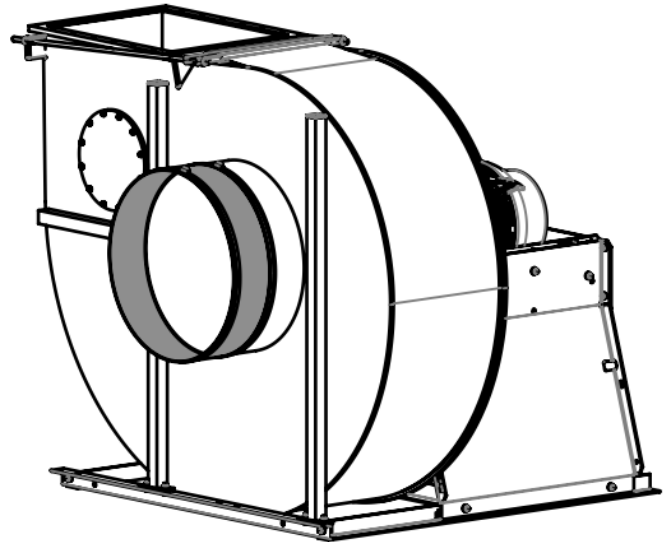
Fan type	Floor mounting	Number of elements
CHVN 315-710	40/40, B	6
CHVN 500-710	50/50, B	6

Edition 2025 • Subject to alteration • Copyright by COLASIT AG Spiez



Sleeve round with tensioning straps *

- Material Soft PVC (sleeve)
 Stainless steel (tensioning strap)
- Application Intake side



NW Ø	L	s
315	100	3
355-400	225	3
455-500	160	3
560-710	200	3

Edition 2025 • Subject to alteration • Copyright by COLASIT AG Spiez

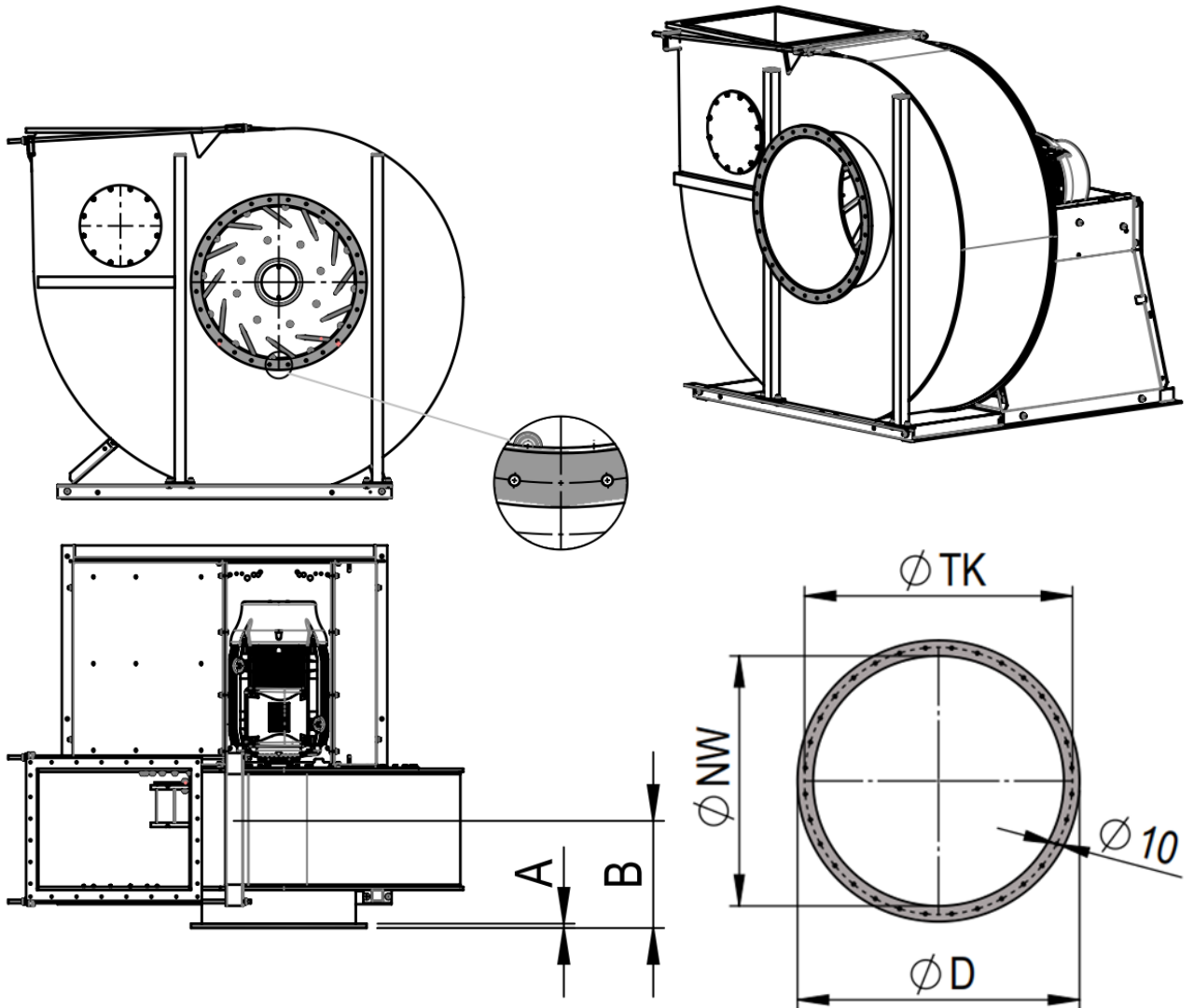
COLASIT Asia Pte Ltd
 Plastic construction • 38 Woodlands Industrial Park E1 #03-04 • Singapore 757700
 Phone +65 6852 35 80/1 • info@colasit.com.sg
www.colasit.com.sg

Competence in plastics. Worldwide.



Flange CN *

- Material PE, PP, PPs, PPs-el, PVDF, PVC (same as casing)

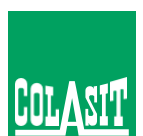


Ø NW	A	B	Ø D	Ø TC	No. Ø10
315	15	205	375	350	12
355	15	255	435	400	16
400	15	255	480	445	18
450	15	285	530	495	20
500	20	320	600	555	22
560	20	360	660	615	24
630	20	405	730	685	26
710	20	455	810	765	28

Edition 2025 • Subject to alteration • Copyright by COLASIT AG Spiez

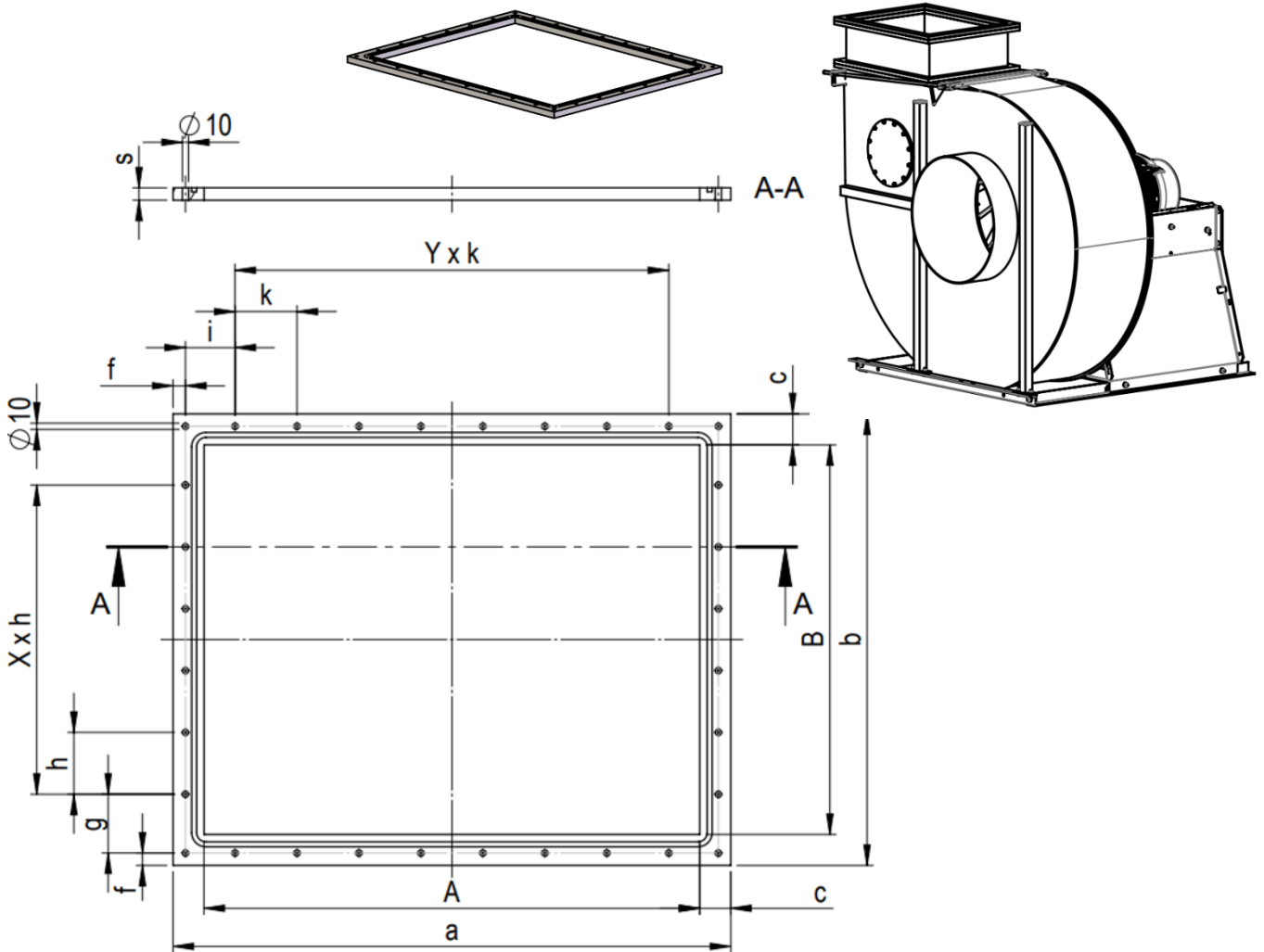
COLASIT Asia Pte Ltd
 Plastic construction • 38 Woodlands Industrial Park E1 #03-04 • Singapore 757700
 Phone +65 6852 35 80/1 • info@colasit.com.sg
 www.colasit.com.sg

Competence in plastics. Worldwide.



Flange CN rectangular *

- Material PE, PP, PPs, PPs-el, PVDF, PVC (same as casing)
With EPDM sealing cord (FKM optional)
- Remark: Additional part for connecting rectangular ducts



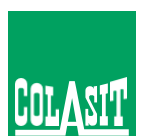
Fan Type CHVN	Dimension											Holes $\varnothing 10$ No.
	A	B	a	b	c	s	f	g	X x h	i	Y x k	
315	424	188	504	268	40	15	14	80	1x80	88	3x100	16
355	488	224	568	304	40	15	14	88	1x100	90	4x90	18
400	546	258	626	338	40	15	14	100	1x100	99	4x100	20
450	450	355	530	435	40	15	14	53.5	3x100	51	4x100	22
500	500	400	580	480	40	15	14	76	3x100	76	4x100	22
560	560	450	640	530	40	15	14	51	4x100	56	5x100	26
630	630	500	730	600	50	20	20	80	4x100	105	4x120	26
710	710	560	810	660	50	20	20	60	5x100	97.5	5x115	28

Edition 2025 • Subject to alteration • Copyright by COLASIT AG Spiez

COLASIT Asia Pte Ltd
 Plastic construction • 38 Woodlands Industrial Park E1 #03-04 • Singapore 757700
 Phone +65 6852 35 80/1 • info@colasit.com.sg
 www.colasit.com.sg

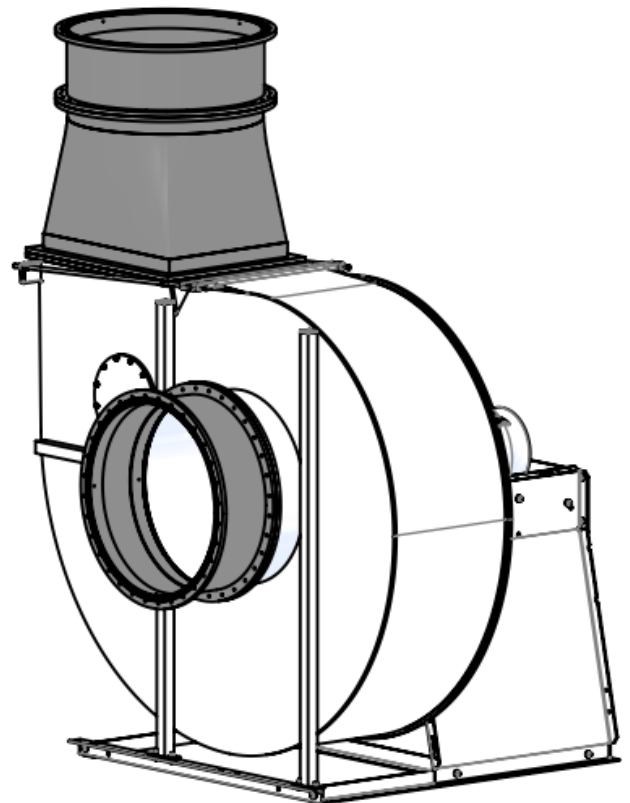
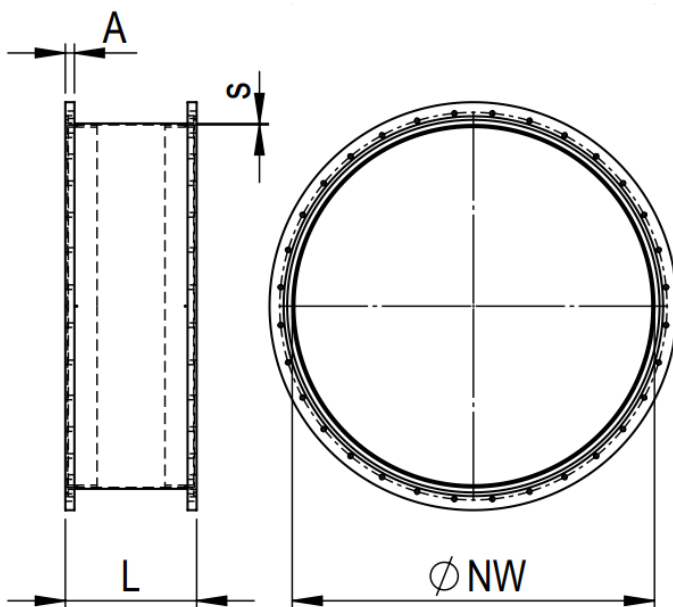
A

Competence in plastics. Worldwide.



PVC sleeve round with flange on both sides *

- Material PVC (flange)
Soft PVC (sleeve)
With EPDM sealing cord (FKM optional)
- Application Intake side in combination with "flange CN"
Outlet side with an additionally available square-to-round transition piece

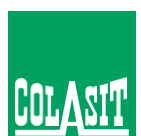


NW Ø	A	L	s
315	15	130	3
355-400	15	155	3
450	15	190	3
500	15	200	3
560-710	20	240	3

Edition 2025 • Subject to alteration • Copyright by COLASIT AG Spiez

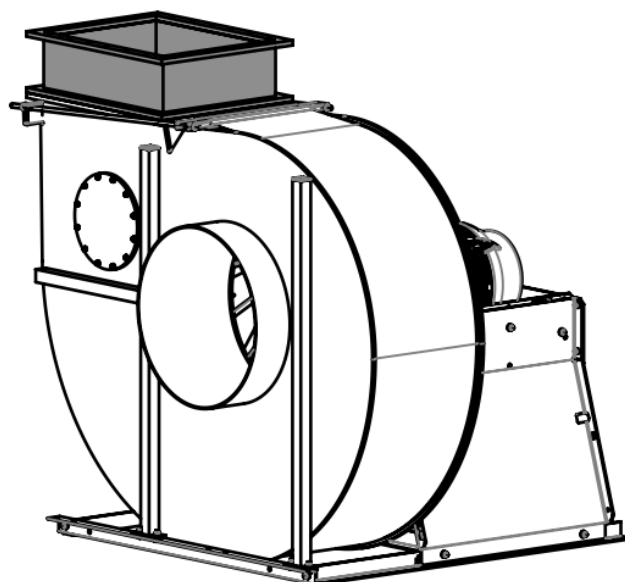
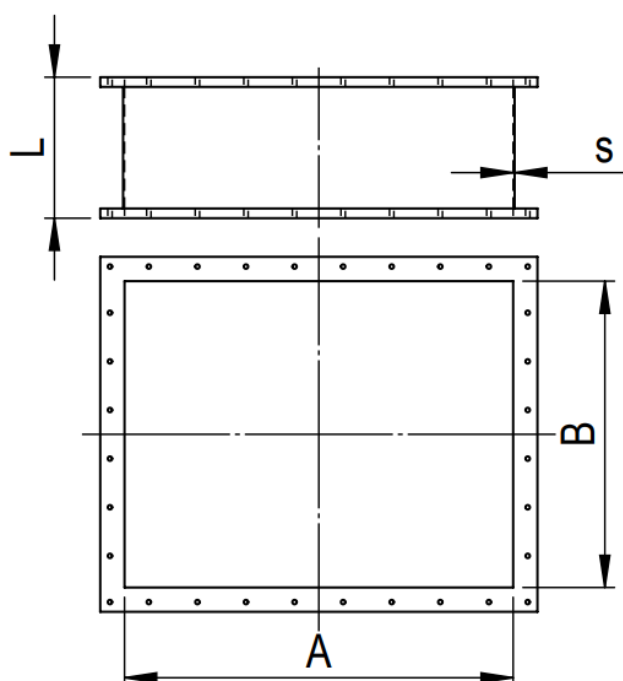
COLASIT Asia Pte Ltd
 Plastic construction • 38 Woodlands Industrial Park E1 #03-04 • Singapore 757700
 Phone +65 6852 35 80/1 • info@colasit.com.sg
www.colasit.com.sg

Competence in plastics. Worldwide.



PVC sleeve with rectangular flange on both sides *

- Material
 - PVC (flange)
 - Soft PVC (sleeve)
 - With EPDM sealing cord (FKM optional)



NW	A	B	L	s
315	424	188	130	3
355	488	224	155	3
400	546	258	155	3
450	450	355	190	3
500	500	400	190	3
560	560	450	240	3
630	630	500	240	3
710	710	560	240	3

Edition 2025 • Subject to alteration • Copyright by COLASIT AG Spiez

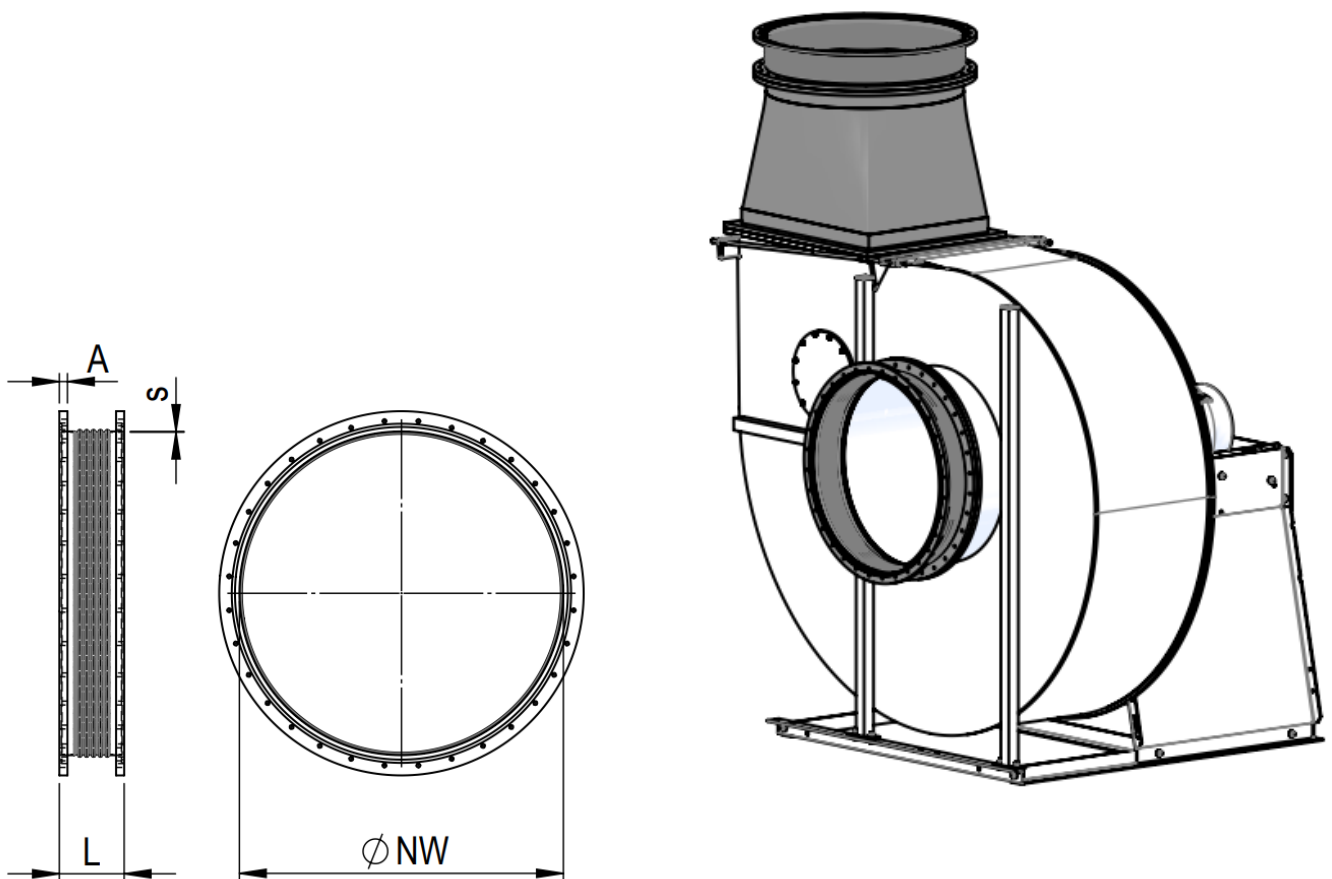
COLASIT Asia Pte Ltd
 Plastic construction • 38 Woodlands Industrial Park E1 #03-04 • Singapore 757700
 Phone +65 6852 35 80/1 • info@colasit.com.sg
www.colasit.com.sg

Competence in plastics. Worldwide.



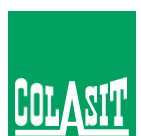
Wellflex sleeve round with flange on both sides *

- Material PPs, PPs-el (flange)
PP, PP-el (sleeve, electrically conductive)
With EPDM sealing cord (FKM optional)
- Application Intake side in combination with "Flange CN"
Outlet side with an additionally available square-to-round transition piece
ATEX
- Option Reinforced sleeve for higher pressures



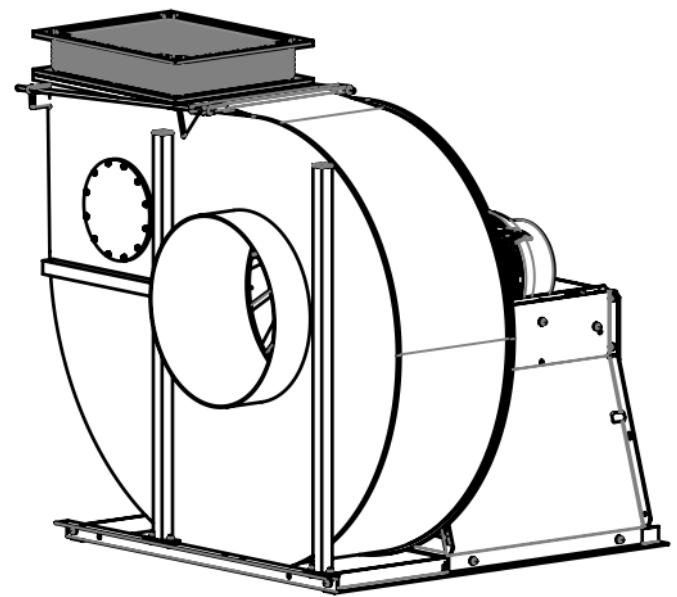
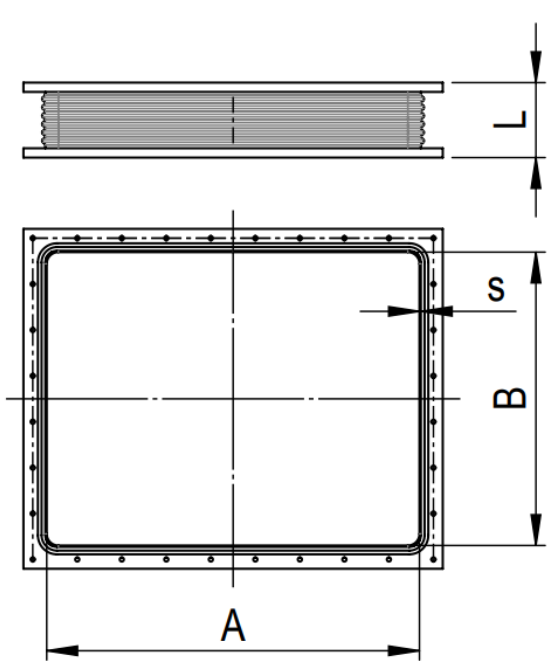
NW Ø	A	L	s
315	15	190	3
355	15	160	3
400	15	190	3
450	15	160	3
500	15	160	3
560-710	20	160	3

Edition 2025 • Subject to alteration • Copyright by COLASIT AG Spiez



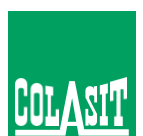
Wellflex sleeve square with flange on both sides *

- Material PPs, PPs-el (flange)
PP, PP-el (sleeve, electrically conductive)
With EPDM sealing cord (FKM optional)
- Application ATEX
- Option Reinforced sleeve for higher pressures



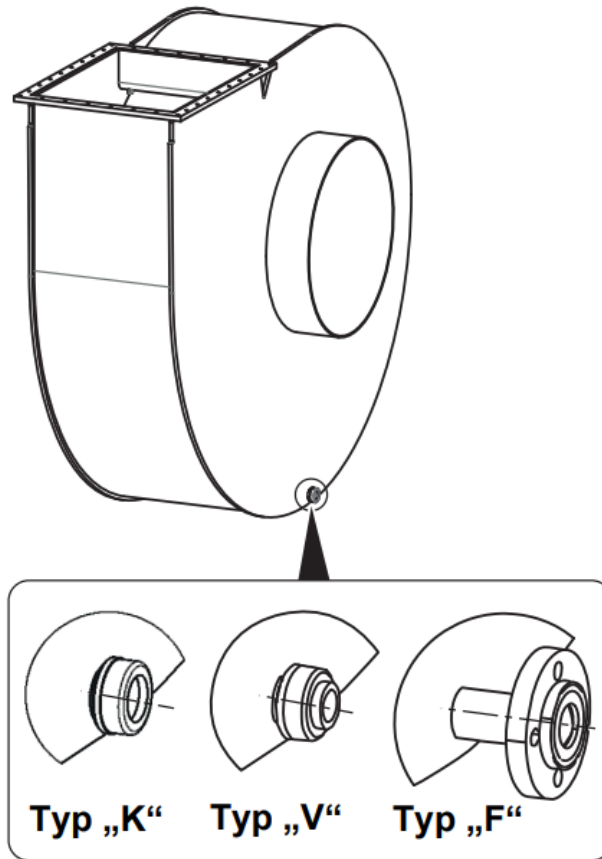
NW	A	B	L	s
315	424	188	160	3
355	488	224	160	3
400	546	258	160	3
450	450	355	160	3
500	500	400	160	3
560	560	450	160	3
630	630	500	160	3
710	710	560	160	3

Edition 2025 • Subject to alteration • Copyright by COLASIT AG Spiez



Casing drain

- Material PE, PP, PVDF, PVC



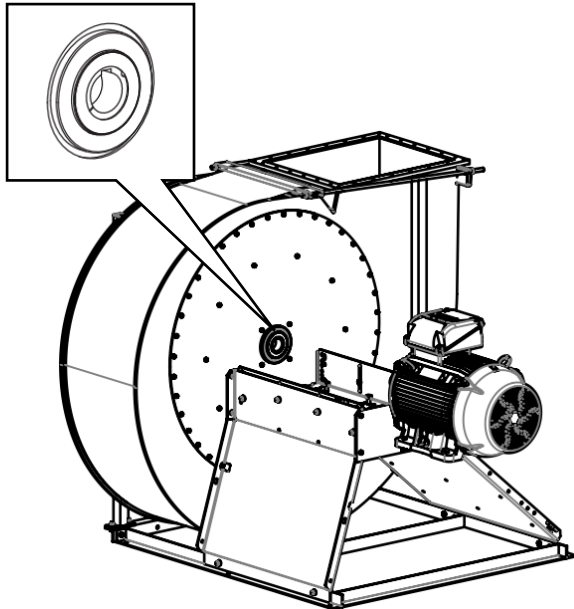
Fan Type	with cap	with threaded fasteners	with flange
CHVN 315-710	Type K	Type V	Type F
		NG = 25 mm 	

Edition 2025 • Subject to alteration • Copyright by COLASIT AG Spiez

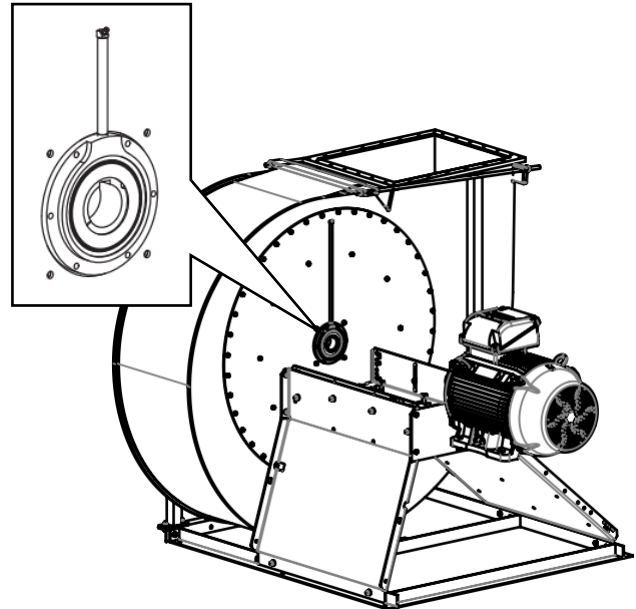
Hub seal

1. Lip seal

- Housing material 1.4404
- Seal material PTFE, FKM

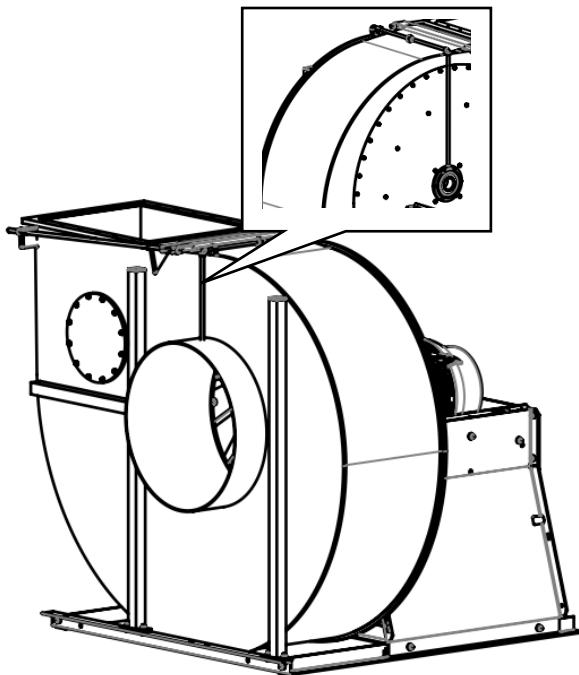


Single lip seal

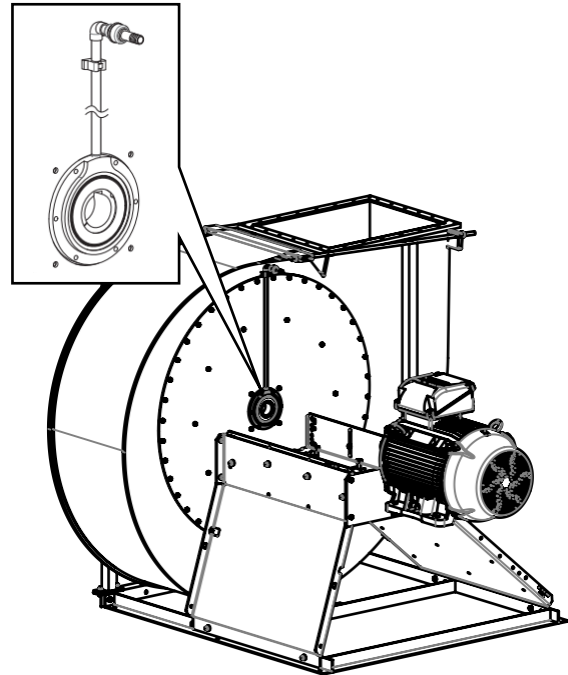


Double-layer seal with lubrication nipple

- The following additions to the double-layer seal are possible



Back suction option

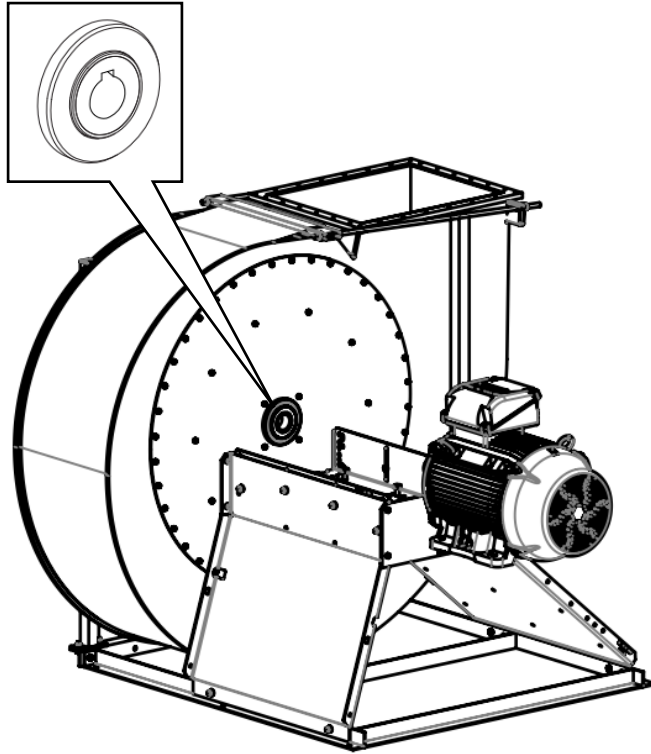


Sealing gas option

Edition 2025 • Subject to alteration • Copyright by COLASIT AG Spiez

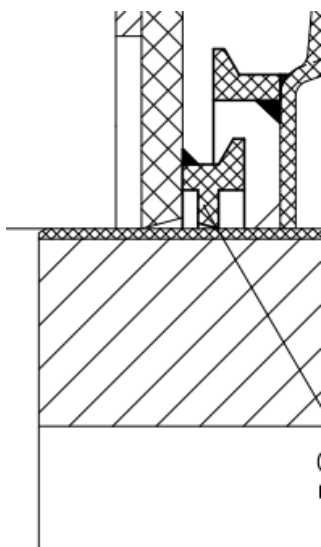
2. Felt seal

- Housing material PE, PP, PPs, PPs-el, PVDF, PVC (same as casing)
- Seal material Felt



3. Labyrinth seal

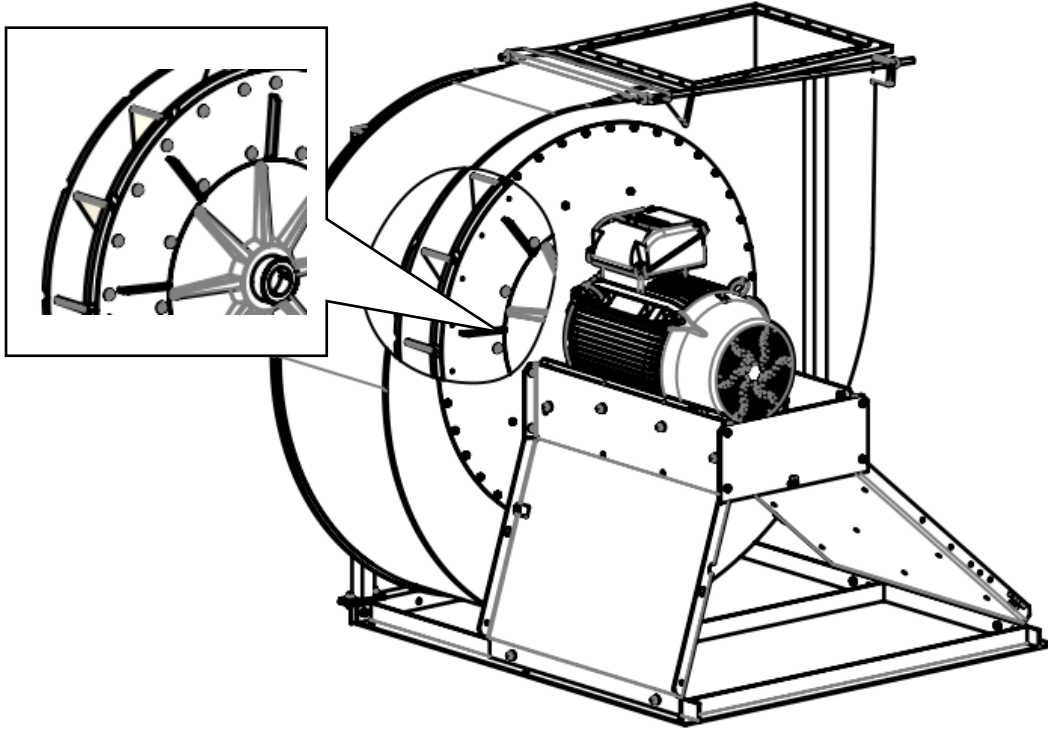
- Seal material PE, PP, PPs, PPs-el, PVDF, PVC (same as casing)
- Remark: Sealing rings welded to casing and impeller



Edition 2025 • Subject to alteration • Copyright by COLASIT AG Spiez

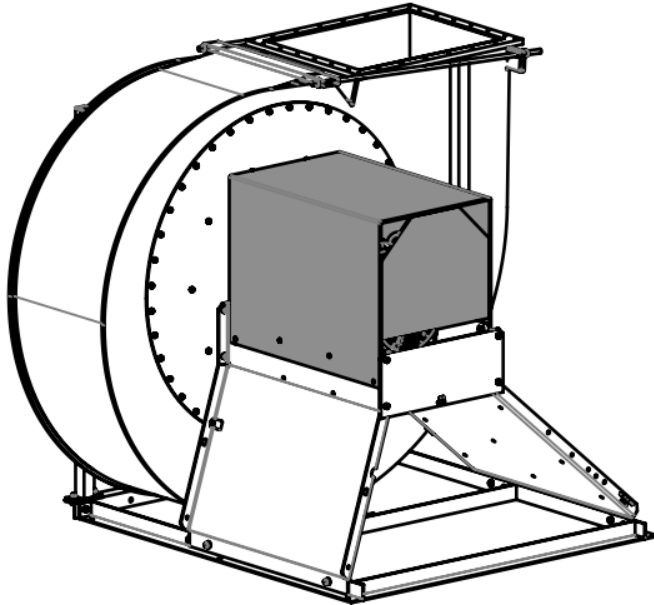
4. Back-plated impeller (negative pressure in the hub area)

- Material PPs, PPs-el, PVDF (same as impeller)

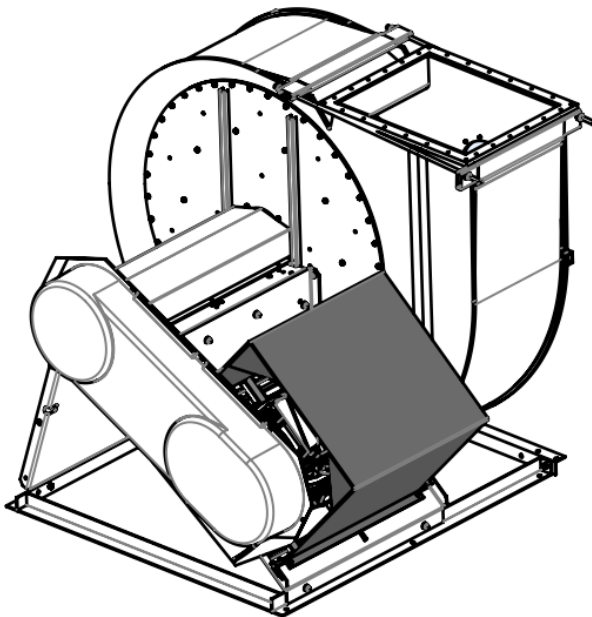


Motor cover direct drive

- Material PE, PPs-el

**Motor cover V-belt drive**

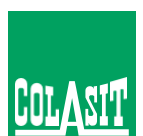
- Material PE, PPs-el



Edition 2025 • Subject to alteration • Copyright by COLASIT AG Spiez

COLASIT Asia Pte Ltd
Plastic construction • 38 Woodlands Industrial Park E1 #03-04 • Singapore 757700
Phone +65 6852 35 80/1 • info@colasit.com.sg
www.colasit.com.sg

Competence in plastics. Worldwide.

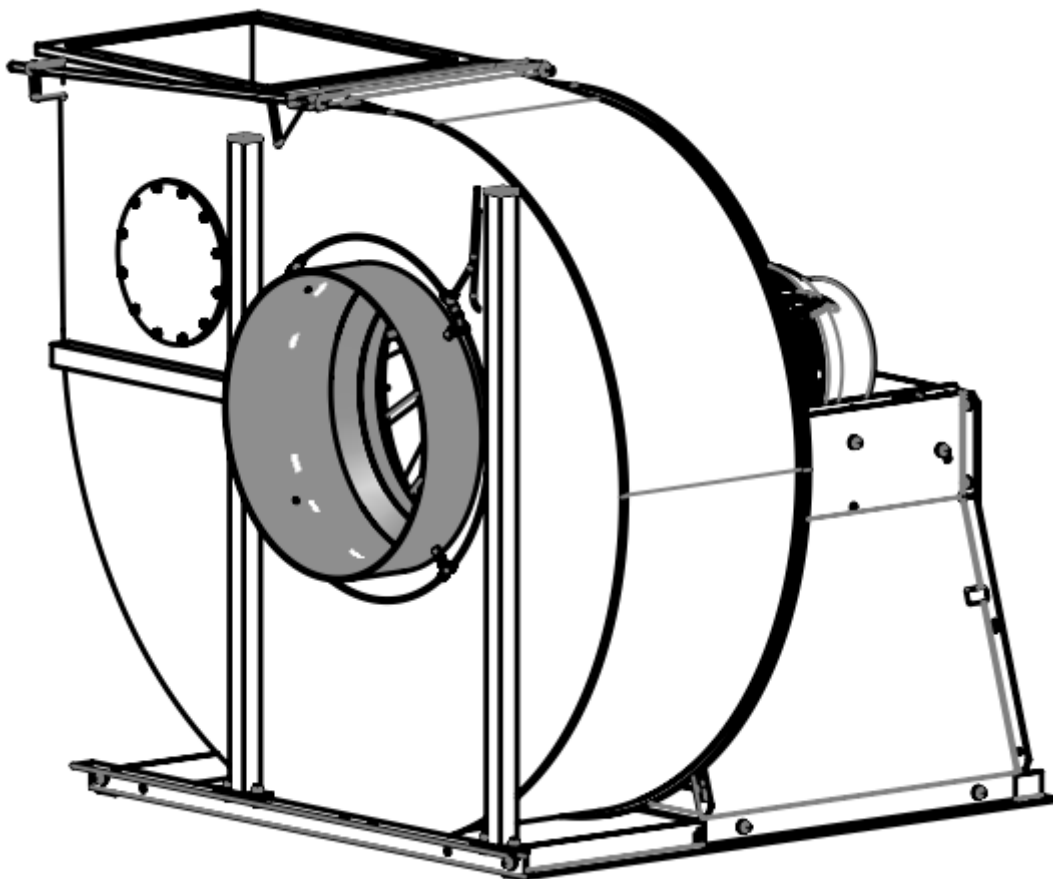


Flow rate measuring point

- **Brief description**
The current volume flow can be determined with the aid of an integrated volume flow measuring point. Based on the actual and target values, the motor power can be adjusted to the desired volume flow rate (target value) via the control unit and the frequency converter.

A detailed product description can be found in the download area of the website www.colasit.com/en/downloads under "Accessories" or via your sales partner.

- **Application**
The pre-fabricated volume flow measuring point is installed in the housing in place of the standard inlet pipe. The following additional devices are required for control:
 - Differential pressure transmitter
 - Volume flow control device
 - Frequency converter
- **Material** PE, PP, PPs, PPs-el, PVDF, PVC (same as casing)



Edition 2025 • Subject to alteration • Copyright by COLASIT AG Spiez

COLASIT Asia Pte Ltd
Plastic construction • 38 Woodlands Industrial Park E1 #03-04 • Singapore 757700
Phone +65 6852 35 80/1 • info@colasit.com.sg
www.colasit.com.sg

Competence in plastics. Worldwide.

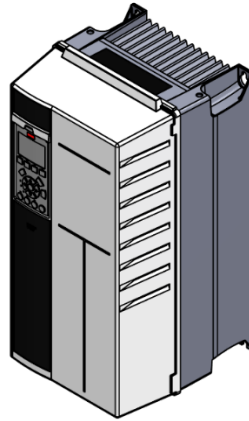


Frequency converter for speed control

- Safety class IP20 to IP55
- Speed control Stepless with integrated control panel
Stepless with external control signal



*Frequency converter IP20
for control cabinet installation*



*Frequency converter IP55
for external installation*